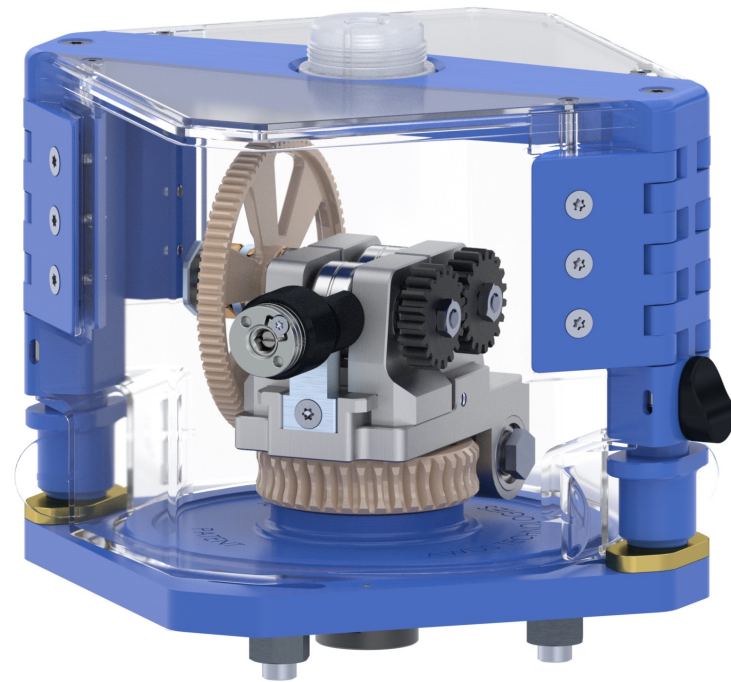


# IMPROVED FEATURES OF THE NEW TWISTER

AWDS-Technologies  
smart solutions for the  
welding industry



**Twister 2021**



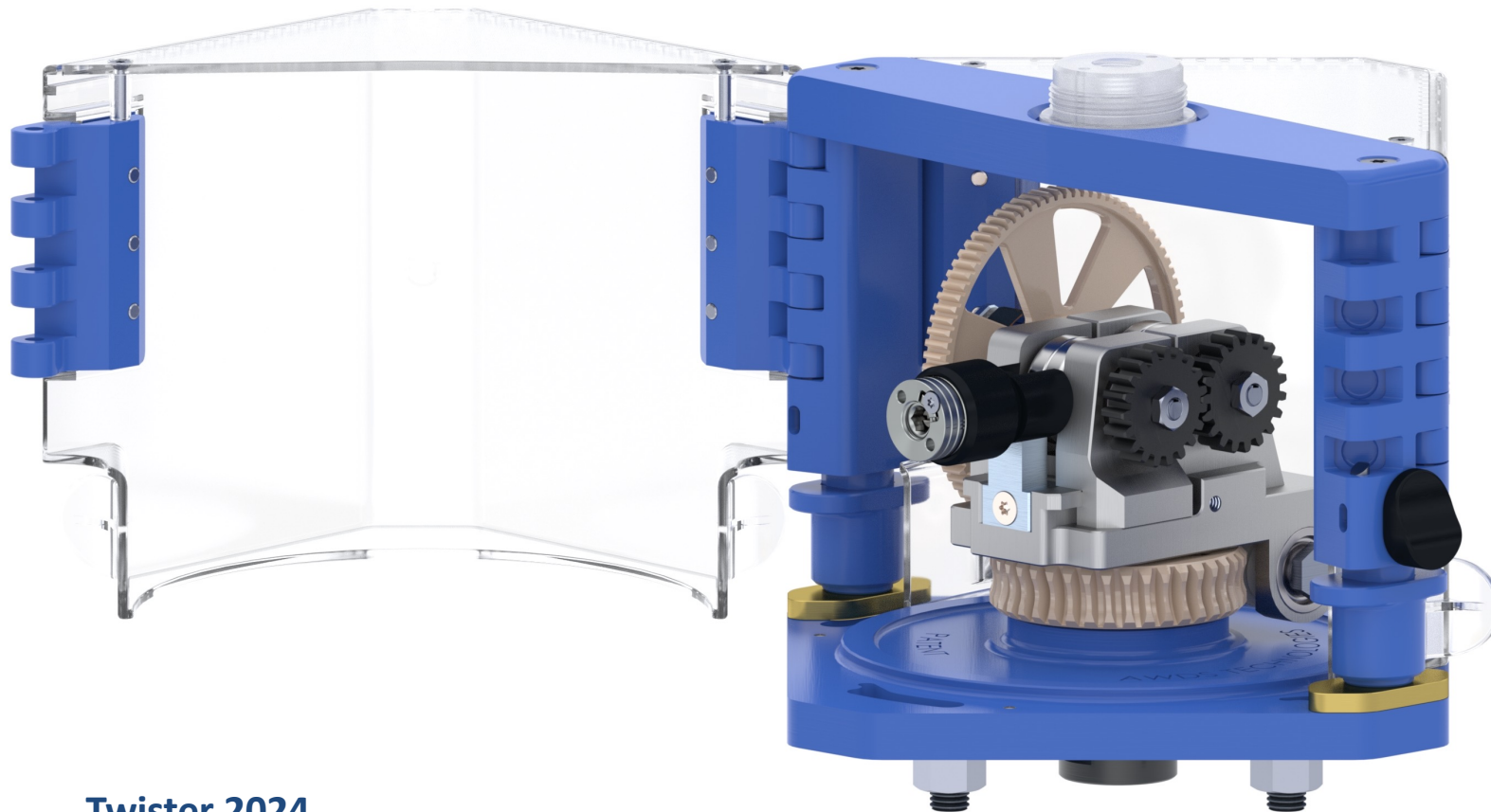
**Twister 2024**

# IMPROVED FUNCTIONALITIES OF THE NEW TWISTER

AWDS-Technologies  
smart solutions for the  
welding industry



**THE ROTATING BODY MASS HAS BEEN REDUCED BY 12% TO MINIMIZE THE TWISTER INITIAL MOMENT OF INERTIA AT THE WELDING ARC START**



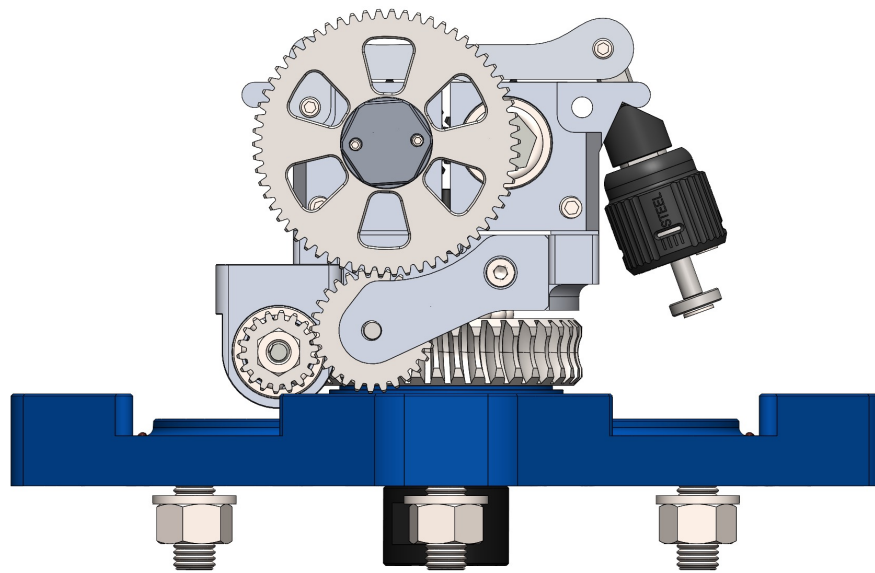
**Twister 2024**

# IMPROVED FUNCTIONALITIES OF THE NEW TWISTER

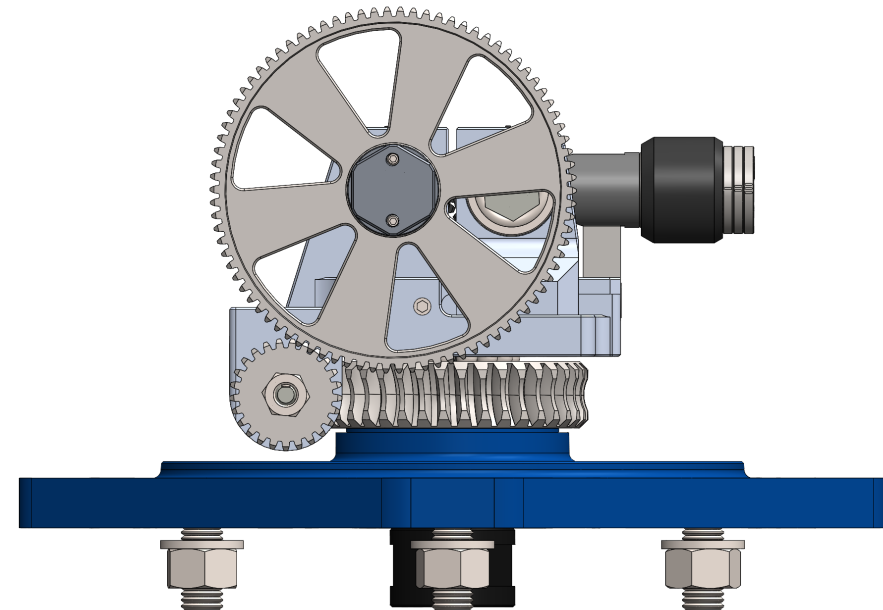
AWDS-Technologies  
smart solutions for the  
welding industry



**THE ARRANGEMENT, SIZE AND SHAPE OF THE GEARS HAVE BEEN MODIFIED IN ORDER TO FURTHER REDUCE THE IMPACT OF ROTATION FRICTION AND MAKE THE TWISTER ACTION MORE EFFECTIVE ALSO WITH THE SOFTER 4000 (ALSI) ALUMINIUM GRADES**



**Twister 2021**



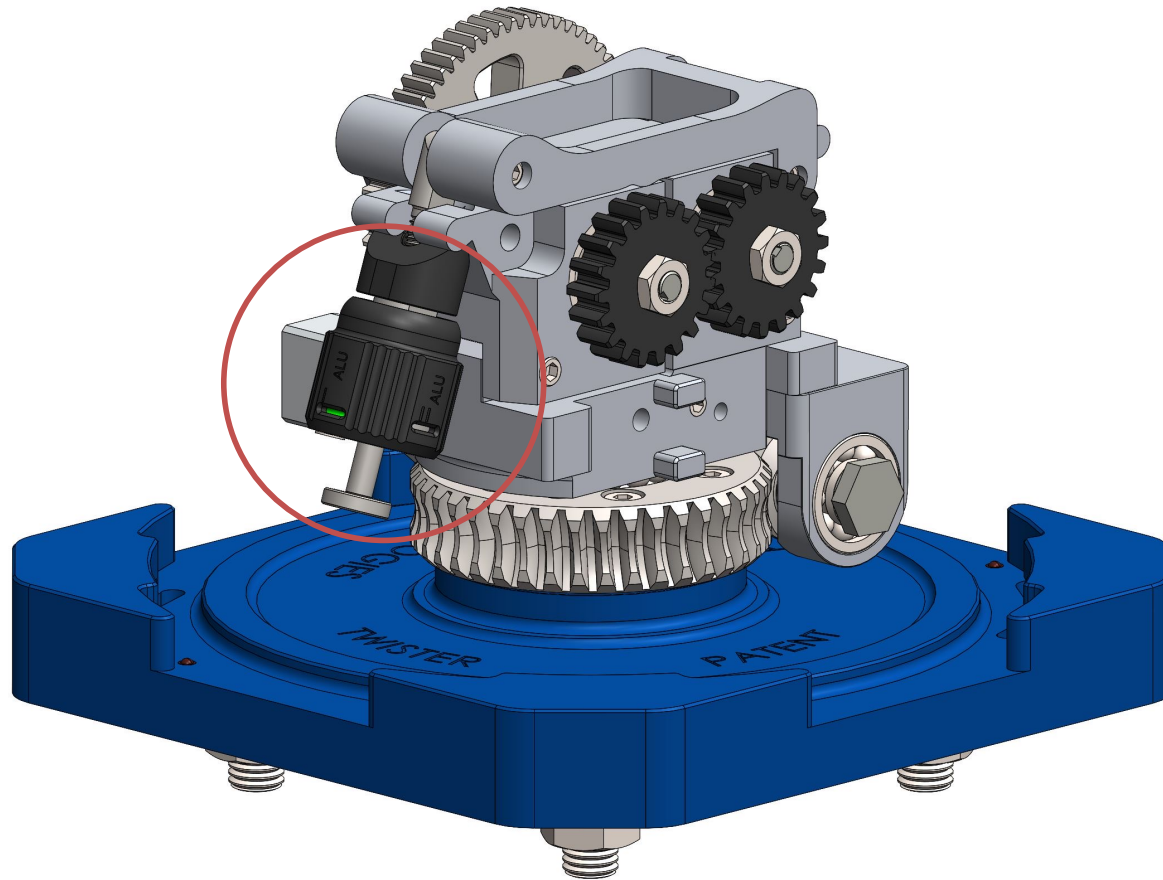
**Twister 2024**

# IMPROVED FUNCTIONALITIES OF THE NEW TWISTER

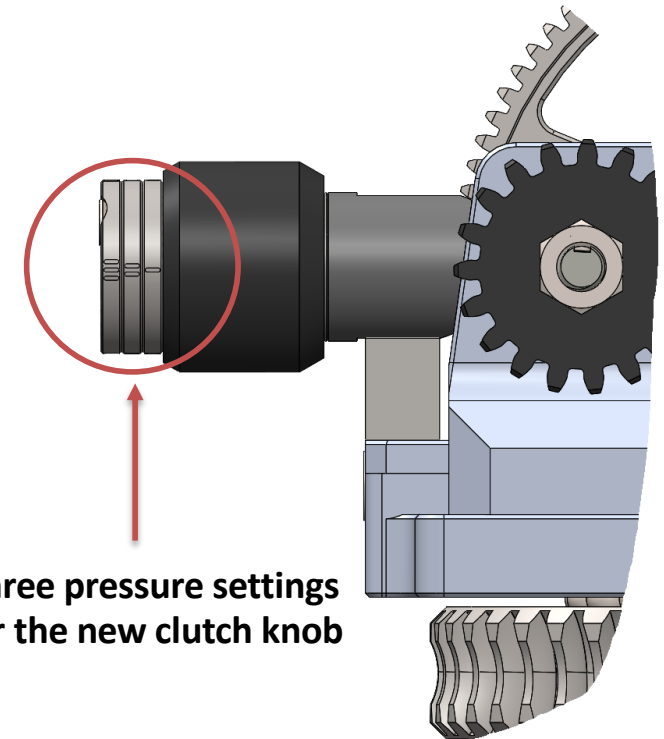
AWDS-Technologies  
smart solutions for the  
welding industry



THE CLUTCH PRESSURE ADJUSTMENT AT THE KNOB HAS BECOME MORE INTUITIVE



Twister 2021



Three pressure settings  
for the new clutch knob

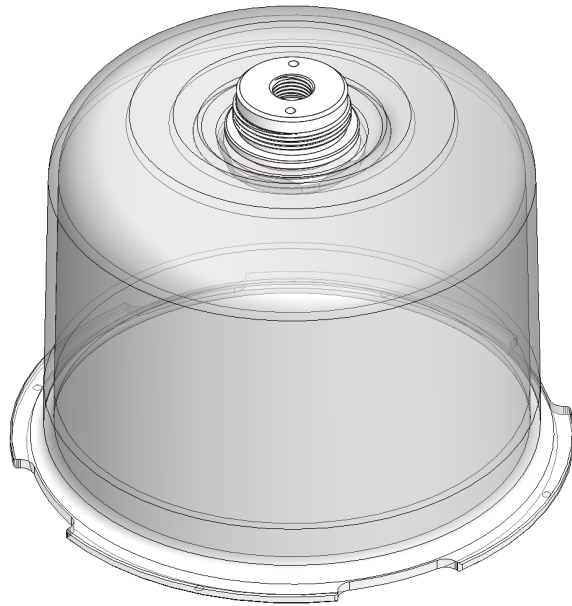
Twister 2024

# IMPROVED FUNCTIONALITIES OF THE NEW TWISTER

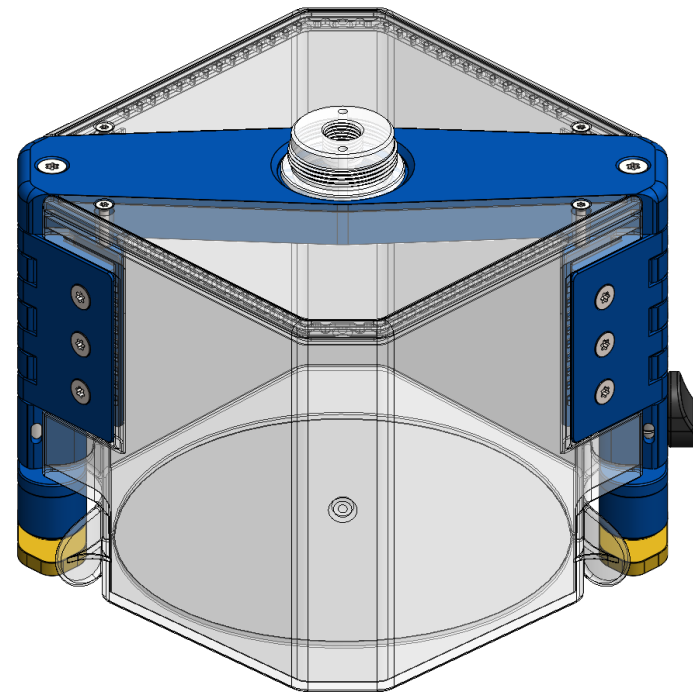
AWDS-Technologies  
smart solutions for the  
welding industry



**THE PROTECTIVE DOME STRUCTURE HAS BEEN RE-DESIGNED AND STRENGTHENED TO BETTER STAND THE PULL FROM THE MAXIGLIDE AND CONVENTIONAL CONDUITS**



**Twister 2021**



**Twister 2024**

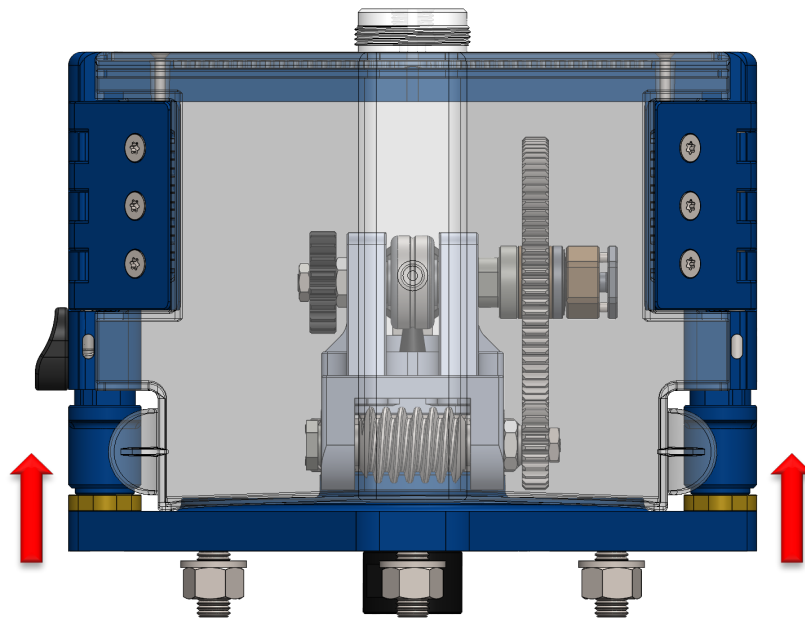


# IMPROVED FUNCTIONALITIES OF THE NEW TWISTER

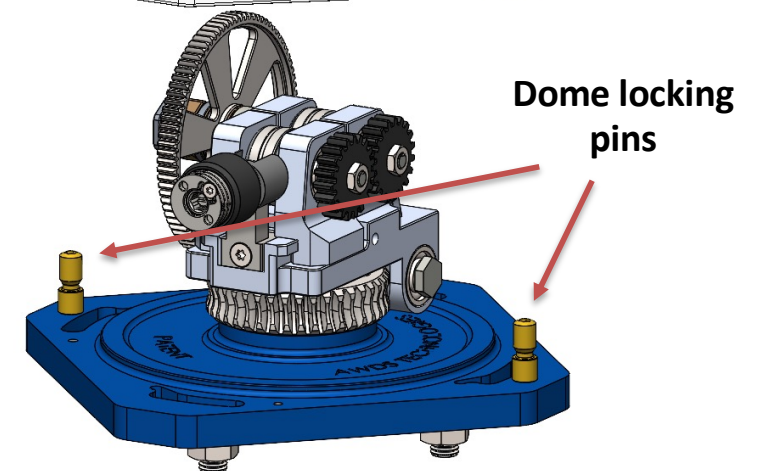
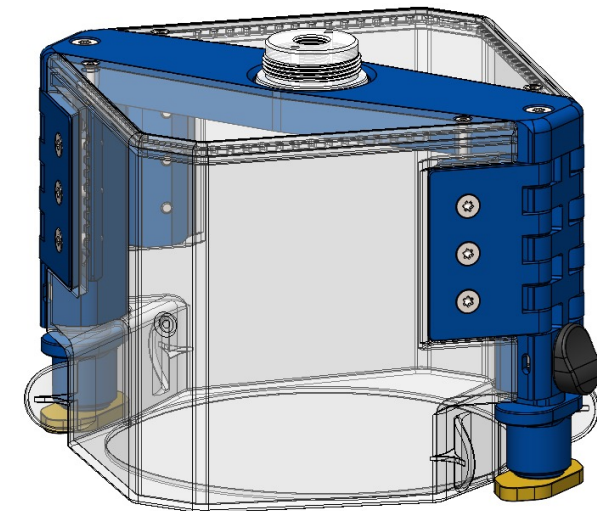
AWDS-Technologies  
smart solutions for the  
welding industry



**THE PROTECTIVE DOME CAN BE EASILY DETACHED BY PULLING UPWARD  
INSTEAD OF HAVING TO ROTATE IT COMPLETELY FOR REMOVAL**



**Pull both side lock controls upward  
to completely remove the cover**



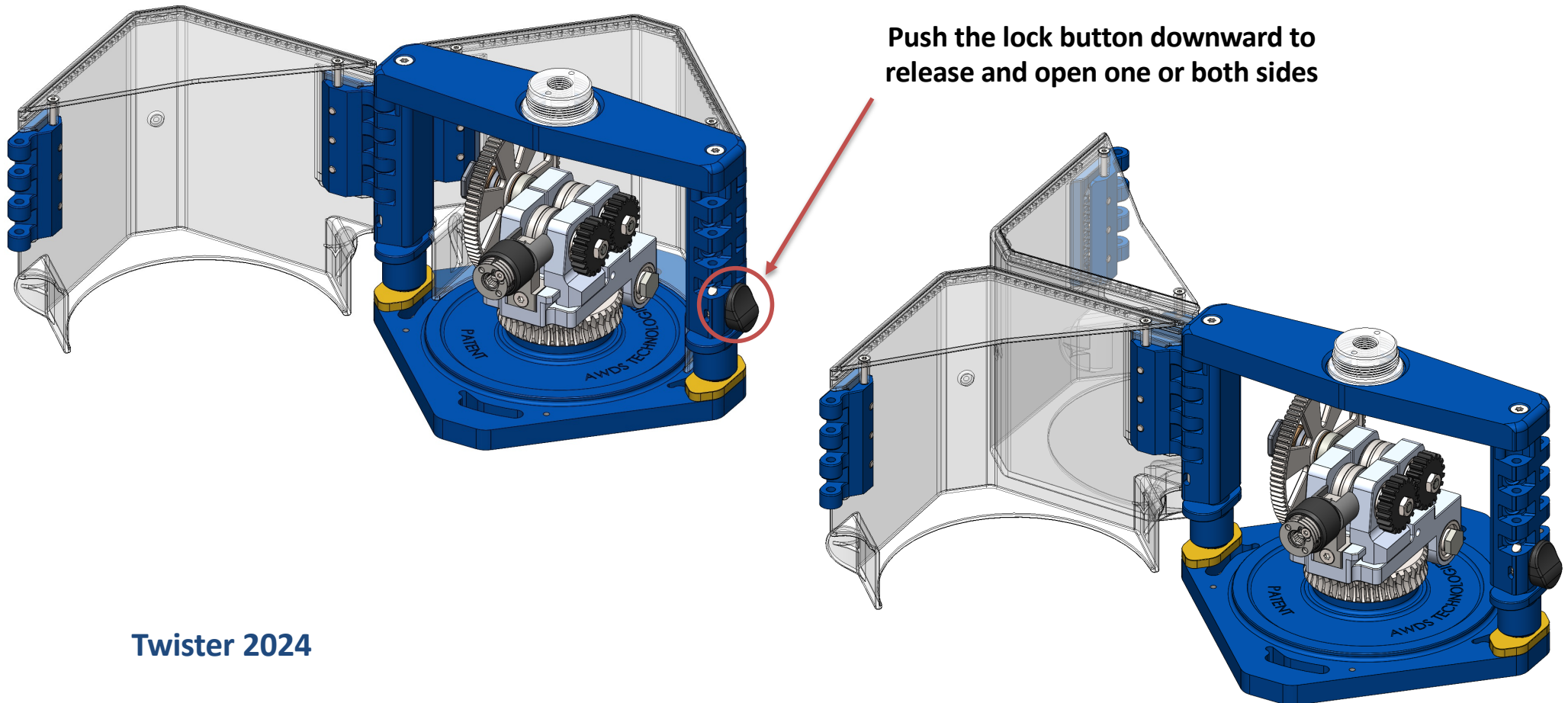
**Twister 2024**

# IMPROVED FUNCTIONALITIES OF THE NEW TWISTER

AWDS-Technologies  
smart solutions for the  
welding industry



**THE TWISTER DOME CAN ALSO BE OPENED LATERALLY AT BOTH SIDES WITH NO NEED TO REMOVE IT TO ACCESS THE TWISTER, FOR TURNING THE WHEELS PRESSURE KNOB OR THREADING THE WIRE**



**Push the lock button downward to release and open one or both sides**

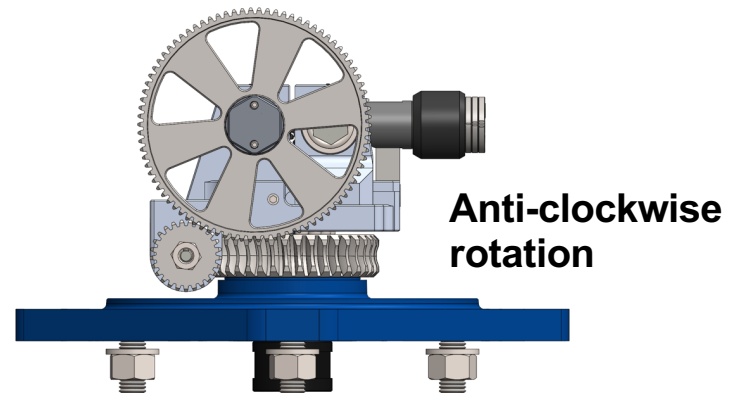
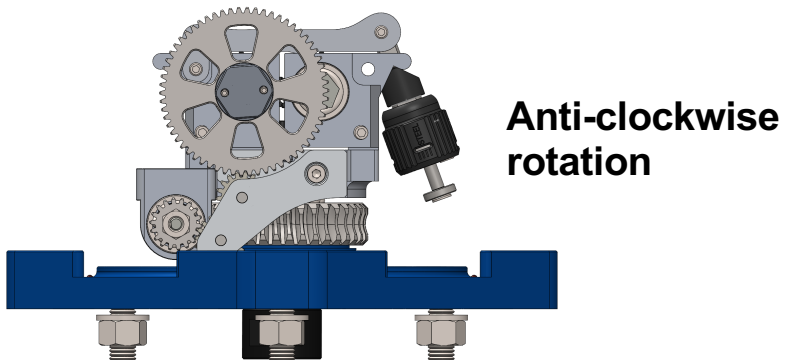
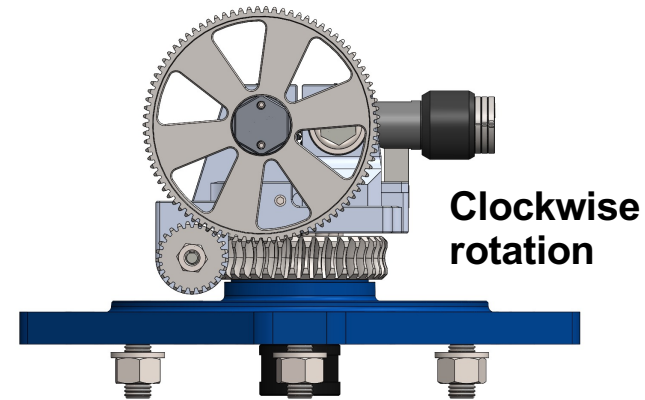
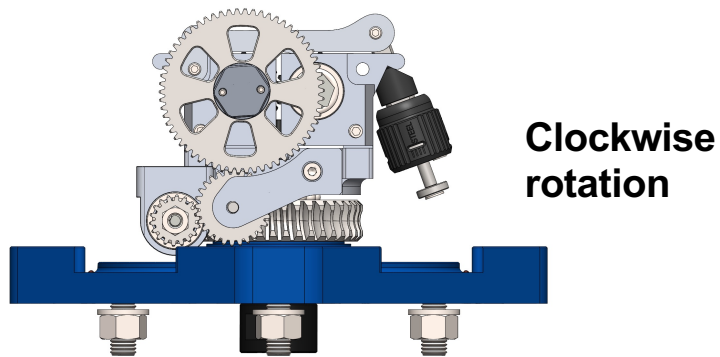
Twister 2024

# IMPROVED FUNCTIONALITIES OF THE NEW TWISTER

AWDS-Technologies  
smart solutions for the  
welding industry



**IMPORTANT: THE ROTATION DIRECTION (CLOCKWISE OR ANTI-CLOCKWISE) MUST BE SPECIFIED WHEN ORDERING THE NEW TWISTER. IT WILL NO LONGER BE POSSIBLE TO CHANGE DIRECTION LATER JUST BY REPLACING A MODULE (ONE OR TWO GEARS), AS IN THE FORMER 2021 VERSION.**



**Twister 2021**

**Twister 2024**